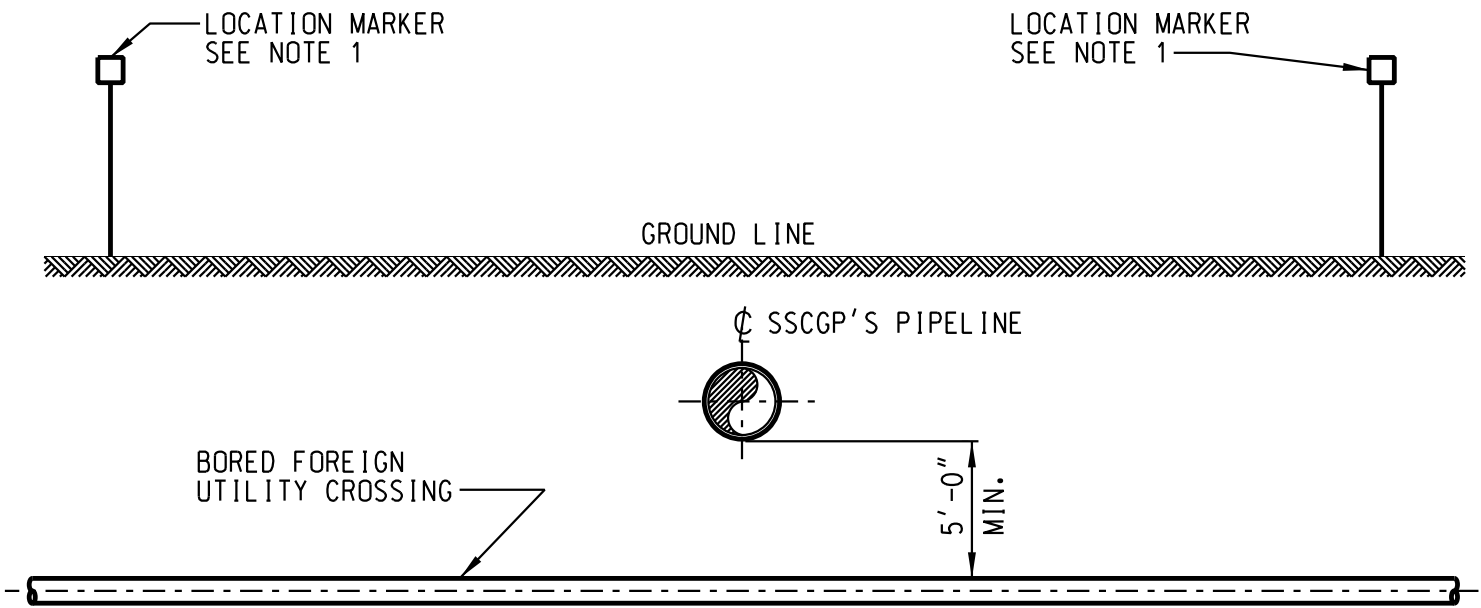


PLAN VIEW



ELEVATION

NOTES:

1. ABOVE GROUND UTILITY LOCATION MARKER WILL BE INSTALLED ABOVE CROSSING AT SSCGP ROW BOUNDARY.



STANDARD ENCROACHMENT DETAILS
FOR INSTALLATION OF BORED UTILITY
CROSSING BELOW EXISTING GAS PIPELINE

REV.	DATE	BY	DESCRIPTION	APP	SCALE: 1" = 1'-0"
0	05-04-2004	GLS	REVISED PER SSCGP STANDARDS	RDH	P. I. N.
1	11-05-2007	JAK	REPLACED STD. DWG. 005-090-A-0142	RDH	DWG. NO.
					STD-ENC-X-BU

DRAWN BY: GLS	DATE: 05-04-2004
CHECKED BY:	DATE:
APPROVED BY: RDH	DATE: 05-28-2004